

KA 941

Kawasaki ZX 9-R



Öhlins shock absorber 46 PRCS

Your Öhlins shock absorber type 46 PRCS features the following adjusters:

Compression damping adjuster

Adjustments are made on top of the reservoir.

Rebound damping adjuster

Adjuster wheel on the piston shaft above the end bracket.

Spring preload adjuster

Adjustments are made by turning the rings on the shock absorber body. Clockwise for harder adjustment, counter clockwise too release the preload.

NOTE!

When delivered the Öhlins shock absorber is dialed to recommended settings for the specific brand and make of the motorcycle. If you have changed the setting check like this:

The adjusters have a normal right hand thread. Turn the damping adjusters clockwise to fully closed (pos. zero [0]). Turn counter clockwise to open and count the clicks until you reach the recommended number of clicks. See Setup data at last page.

CAUTION!

Do not use too much force, delicate sealing surfaces can be damaged.

[Back to contents](#)



[Mounting Instruction](#)

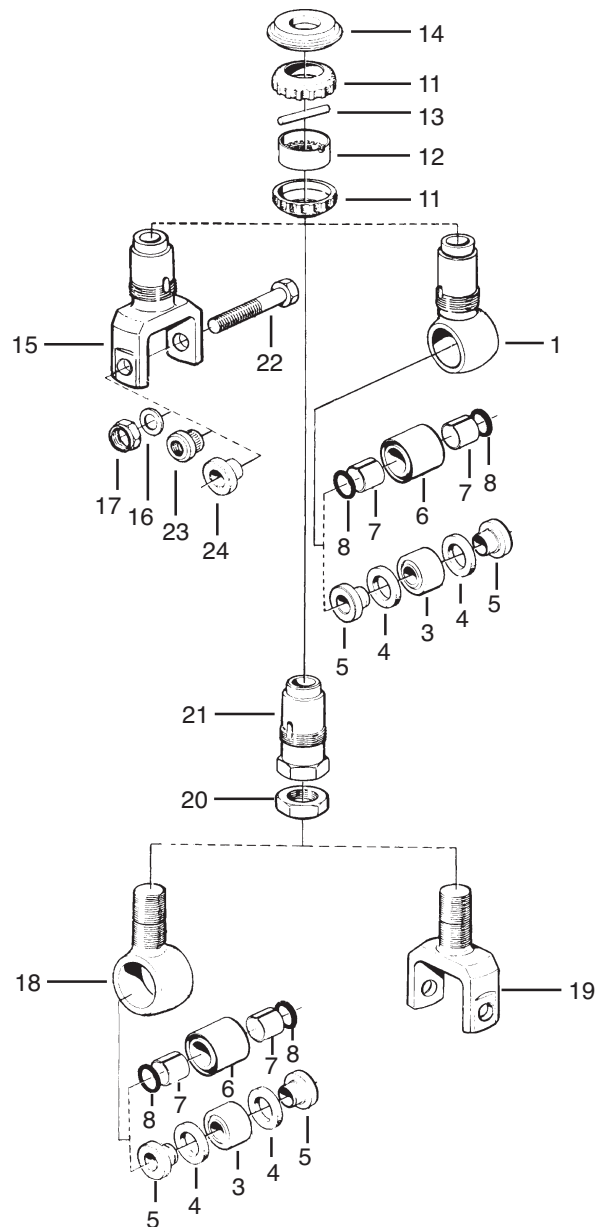
[Spare Parts List](#)

KA 941

Kawasaki ZX 9-R

End eye

| FigNo. | Part No | Description | Qty |
|--------|----------|-------------------------|-----|
| 01-11 | 01016-01 | Seal rebound adjuster | 2 |
| 01-12 | 01128-01 | Adjustment knob 25/33.1 | 1 |
| 01-13 | 01030-01 | Pin 4x30 CP r h8 | 1 |
| 01-14 | 01017-01 | Stop washer 20/46/10 | 1 |
| 01-15 | 01052-16 | Bracket 16/88/32 | 1 |
| 01-24 | 01051-01 | Bushing 10/12/8 | 2 |

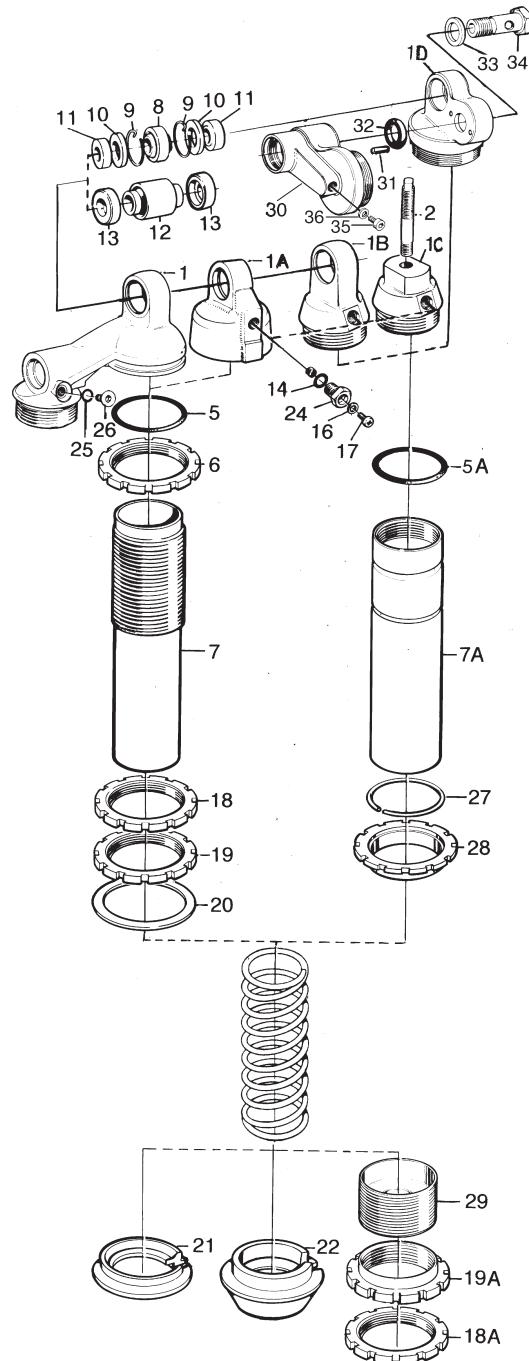


KA 941

Kawasaki ZX 9-R

Body tube

| Fig No. | Part No | Description | Qty |
|---------|----------|-----------------------------|-----|
| 02-05 | 00338-37 | O-ring 50x2.5 NBR70 | 1 |
| 02-07 | 01010-03 | Cylinder tube 46/146.5 | 1 |
| 02-08 | 00536-02 | Ball joint dia 14/26/15 | 1 |
| 02-10 | 00534-01 | Seal ball joint 16/26/3.5 | 2 |
| 02-11 | 01218-12 | Spacer, ball joint 10x30 al | 2 |
| 02-1D | 03103-01 | Cylinder head 46/28.5/26 | 1 |
| 02-20 | 00543-01 | Washer 57/73/1 | 1 |
| 02-22 | 00629-01 | Spring clip for springs 57 | 1 |
| 02-25 | 00438-33 | O-ring 5.6x1.6 NBR 70 | 1 |
| 02-26 | 00382-07 | Screw MF6S 5x8 stainless | 1 |

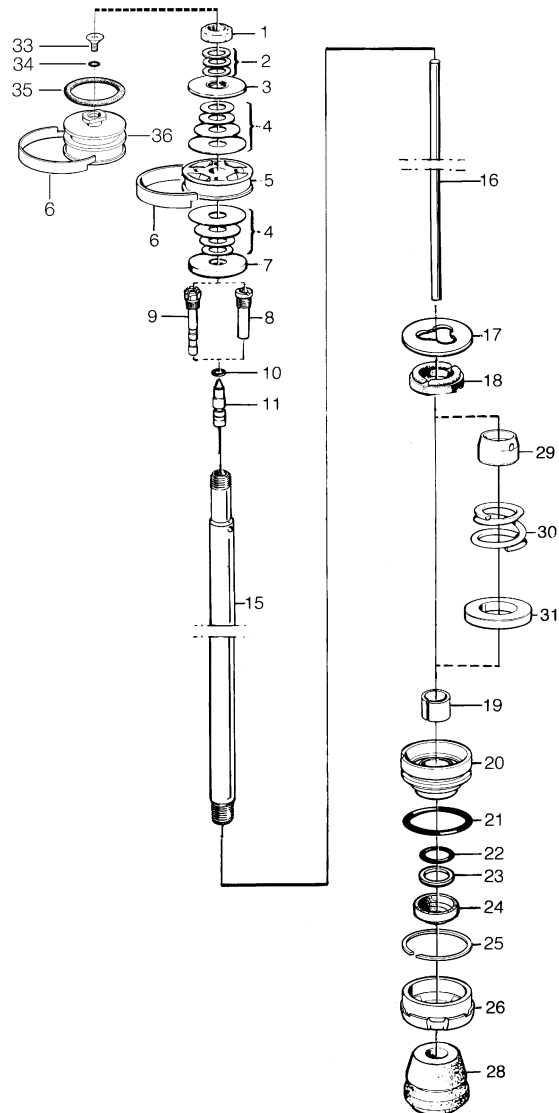


KA 941

Kawasaki ZX 9-R

Shaft

| Fig No. | Part No | Description | Qty |
|---------|----------|------------------------------------|-----|
| 03-01 | 00539-01 | Lock nut M12x1.25/7 | 1 |
| 03-02 | 00578-01 | Washer PS 12/18/1 | 5 |
| 03-03 | 00519-07 | Stop washer 12/20/2 flat | 1 |
| 03-05 | 01114-14 | Piston 12/46 | 1 |
| 03-06 | 00541-01 | Piston ring 46 (INA 781561-1) | 1 |
| 03-07 | 00519-08 | Stop washer 12/37/4 TOP-OUT | 1 |
| 03-09 | 05666-18 | Valve assy dia 1.8 shaft bleed 4.0 | 1 |
| 03-10 | 00338-14 | O-ring 3.1x1.6 NBR70 | 1 |
| 03-11 | 05655-03 | Adjustment needle diam.4 | 1 |
| 03-15 | 05500-08 | Shaft 16/173 | 1 |
| 03-16 | 00566-48 | Adj.shaft 115.6/4.5 | 1 |
| 03-18 | 05115-01 | Stop rubber 23/36/8 | 1 |
| 03-19 | 01056-13 | Bushing 16/18/12 DU | 1 |
| 03-20 | 05129-04 | Seal head assy 46/16 | 1 |
| 03-21 | 00576-01 | O-ring 40.2x3 NBR70 | 1 |
| 03-22 | 01027-01 | X-ring 15.54x2.62 NBR 88 | 1 |
| 03-23 | 01032-01 | Back-up ring 16/20.6/1.4 PTFE | 1 |
| 03-24 | 01031-02 | Scraper 16/26x8/5.5 | 1 |
| 03-25 | 00575-01 | Circlip SB 46, stainless | 1 |
| 03-26 | 01065-01 | End cap 46/16 | 1 |
| 03-28 | 00563-03 | Bump rubber 16/47/19 PUR 650 | 1 |
| 03-29 | 01132-02 | Stop washer topout spr.16-5-5500 | 1 |
| 03-30 | 01131-02 | Stop spring 24.5/21.5/12 | 1 |
| 03-31 | 01269-03 | Spacer 16/38/3 | 1 |

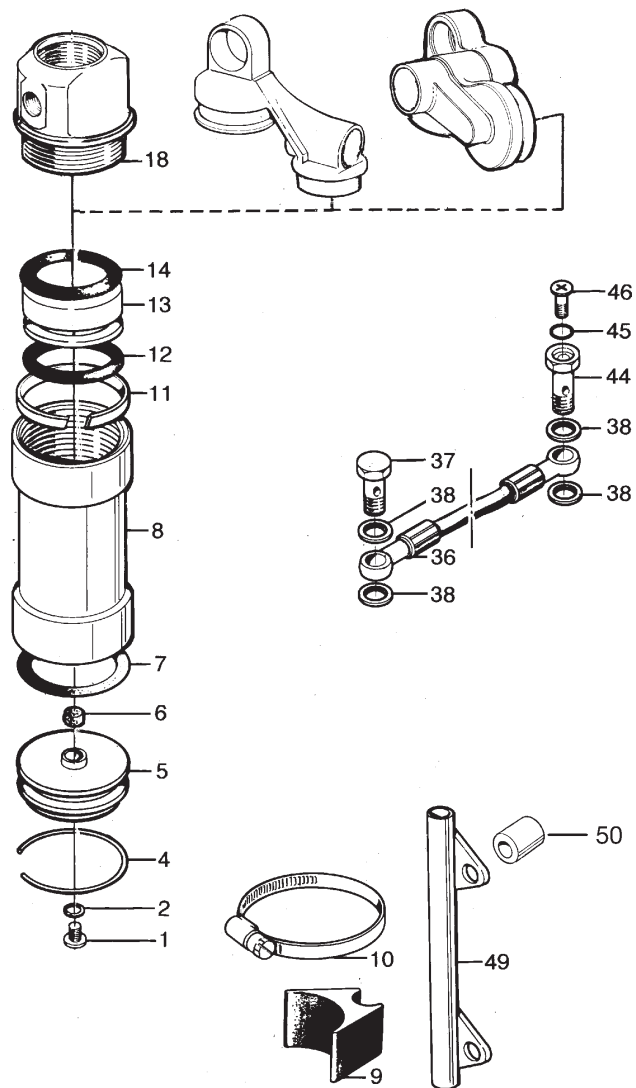


KA 941

Kawasaki ZX 9-R

Reservoir

| Fig No. | Part No | Description | Qty |
|---------|----------|--------------------------------------|-----|
| 04-00 | 00191-03 | Sticker "ÖHLINS" blue/transp 26x62 | 1 |
| 04-00 | 00196-01 | Sticker "Warning" black/transp 17x53 | 1 |
| 04-01 | 00338-59 | O-ring 4.5x1.5 NBR70 | 1 |
| 04-01 | 01050-01 | Screw MRX-H 4x6 stainless | 1 |
| 04-04 | 00329-01 | Circlip 48/1.5 | 1 |
| 04-05 | 00161-03 | Reservoir top assy 44 | 1 |
| 04-07 | 00338-04 | O-ring 33x5 NBR70 | 1 |
| 04-08 | 00302-10 | Reservoir 44/105 | 1 |
| 04-11 | 00340-01 | Teflon band dia 44/5 55-60d shore D | 1 |
| 04-12 | 00338-26 | O-ring 33x5 FKM70 | 1 |
| 04-13 | 00305-01 | Reservoir piston 44 | 1 |
| 04-14 | 00338-24 | O-ring 40.87x3.53 NBR70 | 1 |

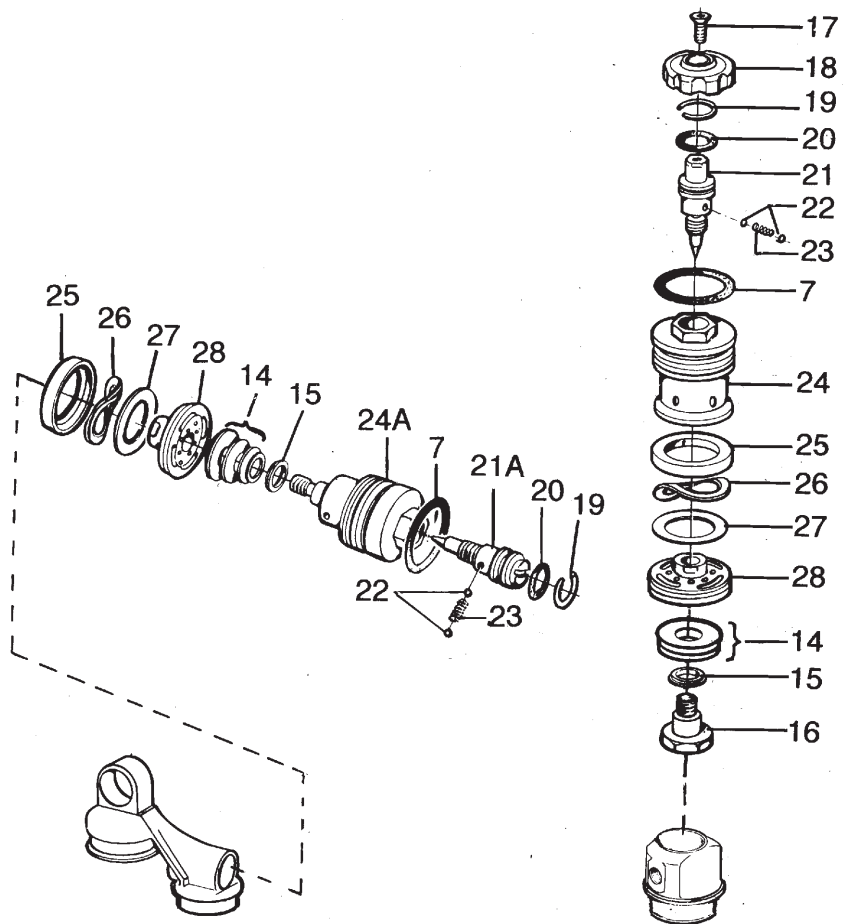


KA 941

Kawasaki ZX 9-R

Comp. Valve

| Fig No. | Part No | Description | Qty |
|---------|----------|-------------------------------------|-----|
| 05-07 | 00338-27 | O-ring 21.95x1.78 NBR70 | 1 |
| 05-15 | 00641-01 | Washer 8/10/2 | 1 |
| 05-16 | 00649-01 | Jet compr.valve 2.5 | 1 |
| 05-17 | 00828-01 | Screw MKFX-Z 3x8 stainless | 1 |
| 05-18 | 03056-01 | Knob compression adjuster | 1 |
| 05-19 | 01473-02 | Circlip SRH 10 stainless | 1 |
| 05-20 | 00338-53 | O-ring 7.1x1.6 NBR70 | 1 |
| 05-21 | 01242-02 | Adjustment needle 2.5 comp.adj.knob | 1 |
| 05-22 | 00884-04 | Ball 2-G20 £ | 2 |
| 05-23 | 01248-01 | Spring 2.5/7/11 | 1 |
| 05-24 | 01243-02 | End piece comp.adjuster hose | 1 |
| 05-25 | 01247-01 | Check valve housing 16/23.4/4.5 | 1 |
| 05-26 | 01246-01 | Wave washer 16/22/3.5 | 1 |
| 05-27 | 01245-01 | Shim 0.20-22/16.5 | 1 |
| 05-28 | 01244-01 | Valve compression adjuster | 1 |



KA 941

Kawasaki ZX 9-R

Preload adjuster

| Fig No. | Part No | Description | Qty |
|---------|----------|-------------------------------------|-----|
| 06-00 | 03642-04 | Hydr.prel. -95 assy 2:1 hose | 1 |
| 06-01 | 03611-01 | Support ring di 54.4x3.25x1.5 | 1 |
| 06-02 | 00338-90 | O-ring 54X4 NBR70 | 2 |
| 06-03 | 03607-01 | Preload housing M10-hose | 1 |
| 06-05 | 03610-01 | Support ring 62.2x3.25x1.5 | 1 |
| 06-06 | 03606-01 | Inner sleeve hydr.prel.adj | 1 |
| 06-07 | 03609-01 | Lock nut 61/52/6 | 1 |
| 06-08 | 03608-01 | Guide nut 52/73/6 | 1 |
| 06-09 | 03613-01 | Pin CP 4x35 m6 A1 | 1 |
| 06-10 | 01042-04 | Hose M10x1/8/230 | 1 |
| 06-11A | 01048-01 | Seal washer dia 8 8.7x14x1 | 2 |
| 06-12 | 03600-01 | Adj.cylinder hydr.prel.adj 2:1 10mm | 1 |
| 06-13 | 00438-33 | O-ring 5.28x1.78 NBR70 | 1 |
| 06-14 | 00382-07 | Screw MF6S 5x8 stainless | 1 |
| 06-15 | 03601-01 | Guide screw M3x5.5 | 1 |
| 06-16 | 03604-01 | Piston 21/M12-left/31 | 1 |
| 06-17 | 00338-89 | O-ring 15.88x2.62 NBR70 | 1 |
| 06-18 | 03602-01 | Adj. screw M12-left/51.5 | 1 |
| 06-19 | 03083-01 | Spring 3/6.1/6.18 | 1 |
| 06-20 | 00884-03 | Ball 3-G40-X46CR13 | 1 |
| 06-21 | 00131-03 | Circlip SW 10 | 1 |
| 06-22 | 03073-02 | Thrust washer LS 1024 | 1 |
| 06-23 | 01023-02 | Thrust needle bearing AXK1024 | 1 |
| 06-24 | 03072-02 | Thrust washer AS 1024 | 1 |
| 06-25 | 03603-01 | Cover 29/10.3/9 | 1 |
| 06-26 | 00338-88 | O-ring 10x2.5 NBR70 | 1 |
| 06-27 | 03605-01 | Knob for hydr.prel.adj. with hose | 1 |
| 06-28 | 00382-08 | Screw MF6S 5x12 stainless | 1 |
| 06-29 | 00831-01 | Banjo bolt M8x1 | 1 |
| 06-34 | 01046-17 | Bolt MC6S 6x25 8.8 fzb | 3 |
| 06-38 | 03102-01 | Bracket hydr.prel on reservoir | 1 |

