

# KT 490

KTM SX 85cc, 2004



## Öhlins shock absorber 46 PRXQ

Your Öhlins shock absorber type 46 PRXQ features the following adjusters:

### **Compression damping adjuster (C) (X)**

Adjustments are made on top of the reservoir.  
Low speed adjustments: Slotted centre screw.  
High speed adjustments: Hexagon screw.

### **Rebound damping adjuster (R)**

Adjuster wheel on the piston shaft above the end bracket.

### **Position sensitive damping (Q)**

One of the piston is active throughout the entire length of stroke, while the second piston begins to work in the event of powerful compression of the shock absorber.

### **Spring preload adjuster**

Adjustments are made by turning the threaded ring on the shock absorber body. Use the tool provided. Clockwise for harder adjustment, counter clockwise too release the preload.

### **NOTE!**

*When delivered the Öhlins shock absorber is dialed to recommended settings for the specific brand and make of the motorcycle. If you have changed the setting check like this:*

The adjusters have a normal right hand thread. Turn the damping adjusters clockwise to fully closed (pos. zero [0]). Turn counter clockwise to open and count the clicks until you reach the recommended number of clicks. See Setup data at last page.

### **CAUTION!**

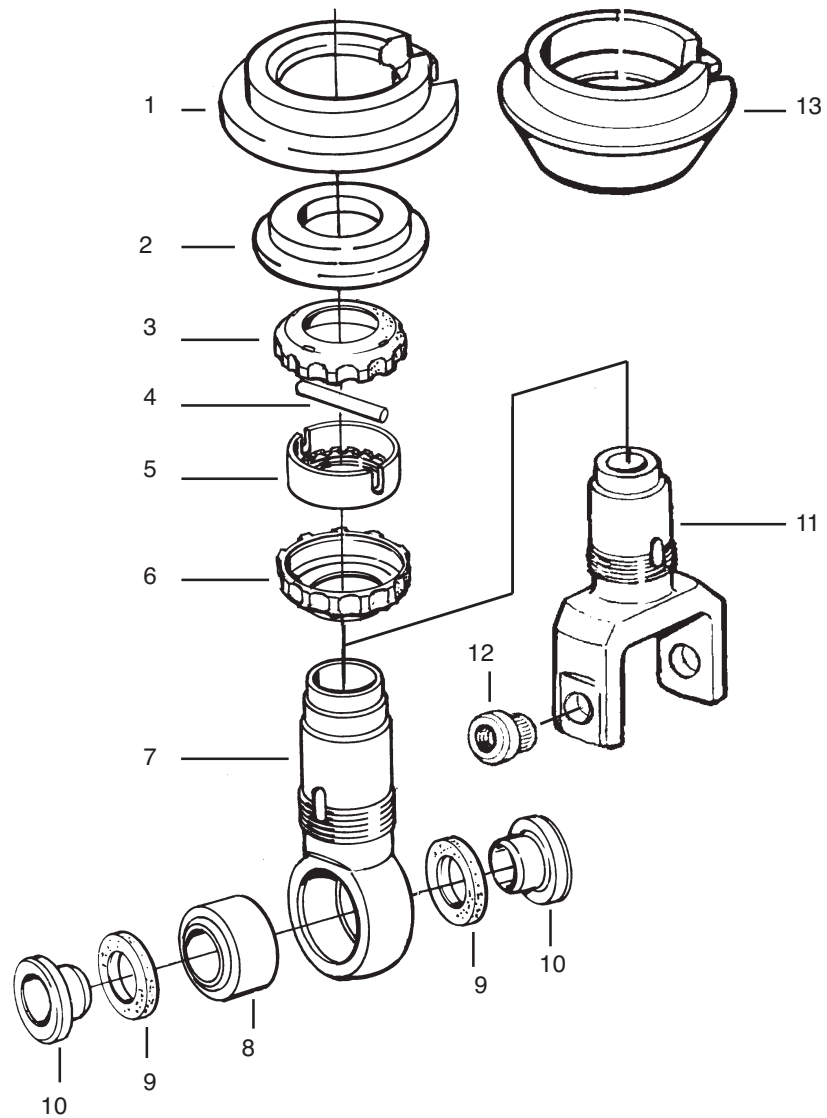
*Do not use too much force, delicate sealing surfaces can be damaged.*

[Back to contents](#)

[Spare Parts List](#)

# KT 490

KTM SX 85cc, 2004

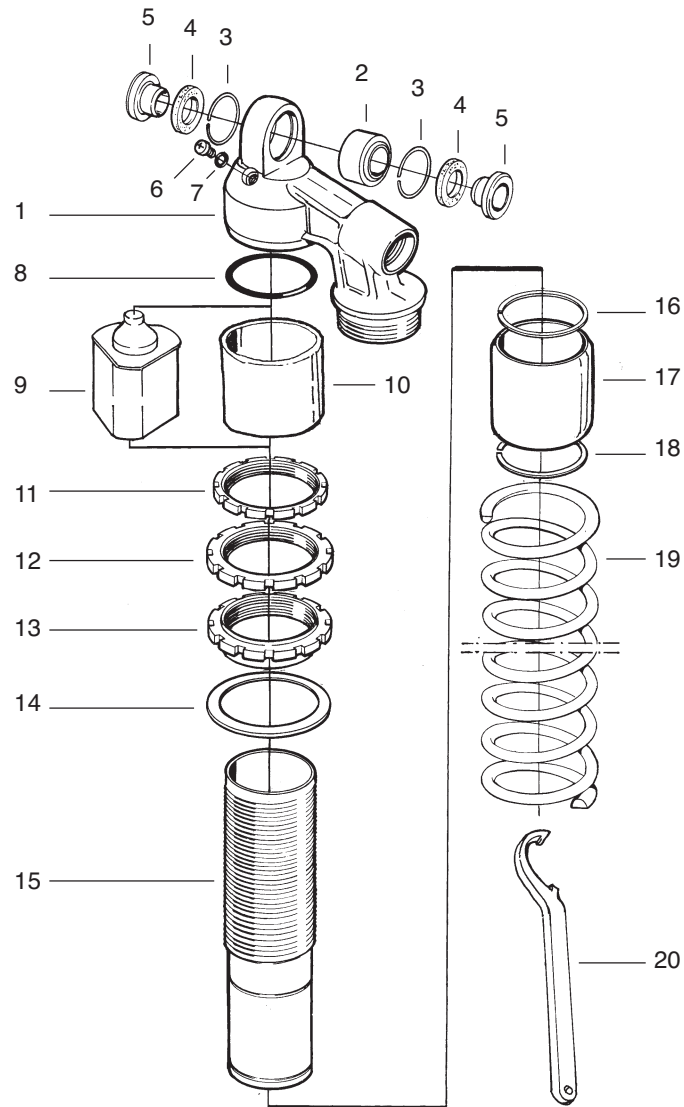


## End eye

FigNo.	Part No	Description	Qty
01-01	00516-01	Spring clip	1
01-02	01284-01	Stop washer	1
01-04	01030-01	Pin	1
01-05	01128-02	Adjustment wheel	1
01-06	01016-01	Seal rebound adjuster	2
01-07	01297-25	End eye 16/72/26	1
01-08	00536-02	Ball joint	1
01-09	00534-01	Dust seal	2
01-10	01218-01	Spacers, ball joint	2

# KT 490

KTM SX 85cc, 2004



## Body tube

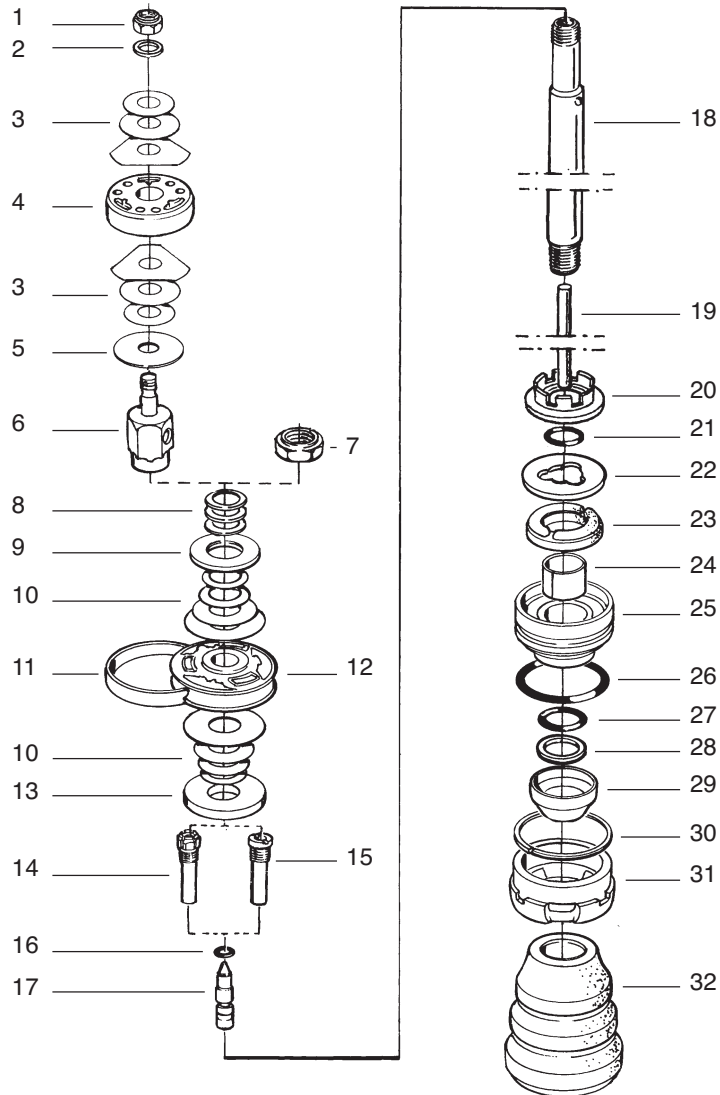
Fig No.	Part No	Description	Qty
02-01	04892-16	Cylinder head	1
02-02	00536-02	Ball joint	1
02-03	00557-01	Circlip	2
02-04	00534-01	Seal ball joint	2
02-05	01218-01	Spacer, ball joint	2
02-06	00382-07	Screw	1
02-07	00438-33	O-ring	1
02-08	00338-37	O-ring	1
02-09	01299-01	PDS Damping cup	1
02-10	01293-06	Sleeve	1
02-11	00533-05	Lock nut	1
02-12	00532-05	Lock nut	1
02-13	00531-05	Spring platform	1
02-14	00534-02	Seal ball joint	1
02-15	04210-67	Cylinder tube	1
02-16	00131-04	Circlip	2
02-17	01293-06	Sleeve	1
02-19		Spring, see spring guide	



[Back to contents](#)

# KT 490

KTM SX 85cc, 2004



## Shaft

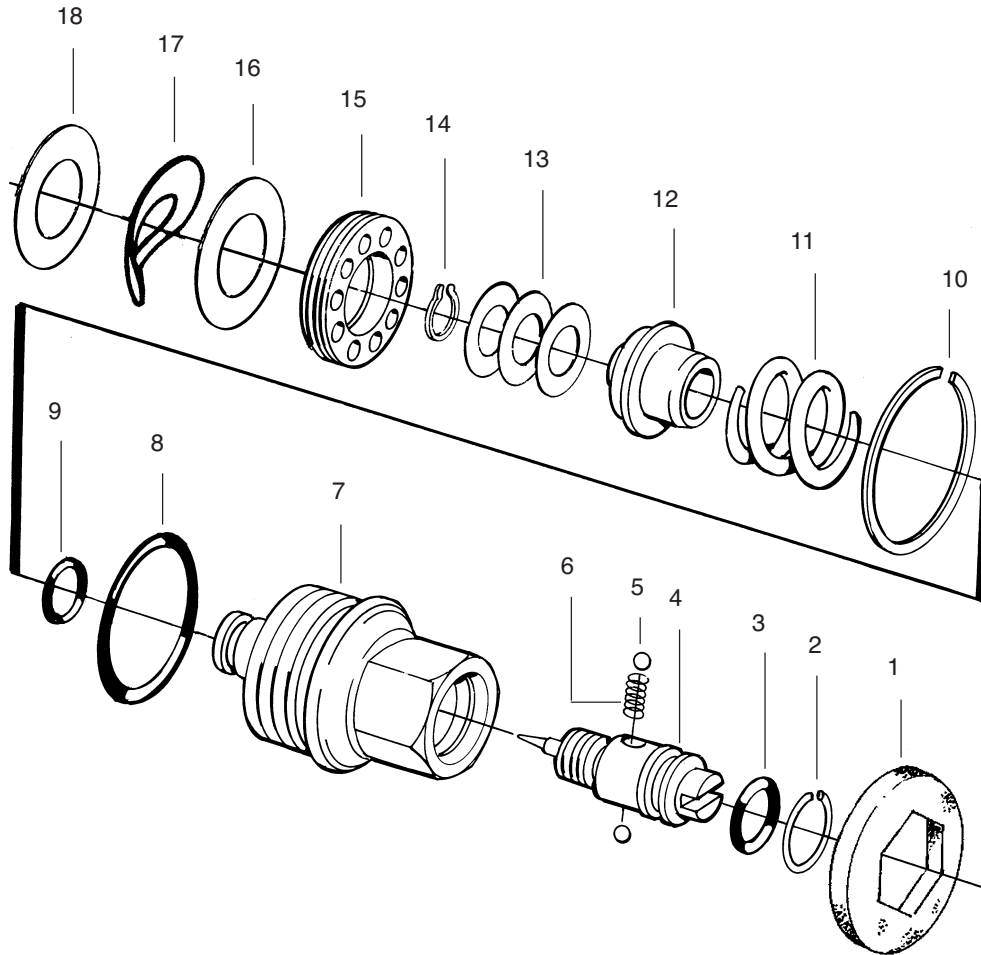
Fig No.	Part No	Description	Qty
03-01	00139-02	Lock nut	1
03-02	00120-03	Washer	1
03-03			
03-04	00104-28	Piston	1
03-05	00119-07	Stop washer	1
03-06	03172-02	Piston holder	1
03-07	00539-01	Lock nut	1
03-08	00578-01	Washer	2
03-09	00519-05	Stop washer	1
03-10		Shim stack, see spec card	
03-11	00541-01	Piston ring	1
03-12	03366-01	Piston	1
03-13	00519-04	Stop washer	1
03-15	05621-03	Shaft jet bleed	1
03-16	00338-14	O-ring	1
03-17	05655-03	Adjustment needle	1
03-18	05500-10	Shaft	1
03-19	00566-47	Adj.shaft	1
03-20	01298-01	Bleed washer	1
03-21	00338-38	O-ring	1
03-22	01069-02	Spacer, Black	1
03-23	05115-01	Stop rubber	1
03-24	01056-13	Bushing	1
03-25	05129-05	Seal head assy	1
03-26	00576-01	O-ring	1
03-27	01027-01	X-ring	1
03-28	01032-01	Back-up ring	1
03-29	01031-02	Scraper	1
03-30	00575-01	Circlip	1
03-31	01065-02	End cap	1
03-32	00563-07	Bump rubber	1



[Back to contents](#)

# KT 490

KTM SX 85cc, 2004

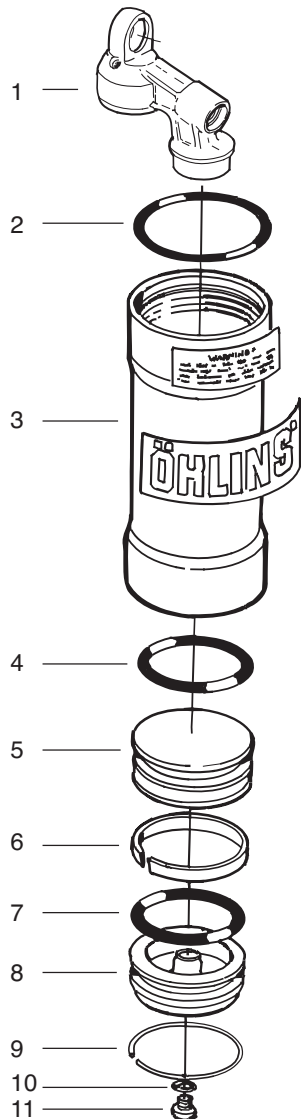


## Compression adjuster

Fig No.	Part No	Description	Qty
		Comp valve 4120-04	
04-01	02408-01	Dust seal compression adj	1
04-02	01473-02	Circlip	1
04-03	00338-53	O-ring	1
04-04	01242-01	Adjustment needle	1
04-05	00884-04	Ball	2
04-06	01248-01	Spring	1
04-07	04101-02	End piece 2-w comp.adjuster	1
04-08	00438-52	O-ring	1
04-09	00438-02	O-ring	1
04-10	00557-01	Circlip	1
04-11	04102-01	Spring	1
04-12	04103-02	Poppet valve	1
04-13	01415-14	Shims	3
04-14	01499-04	Circlip	1
04-15	04104-02	Valve seat	1
04-16	00525-23	Shims	1
04-17	04105-02	Wave washer	2
04-18	00530-22	Shims	3

# KT 490

KTM SX 85cc, 2004



## External reservoir

Fig No.	Part No	Description	Qty
05-00	00191-10	Sticker "ÖHLINS"	1
05-00	00196-01	Sticker "Warning"	1
05-02	00438-26	O-ring	1
05-03	00403-04	Reservoir	1
05-04	00438-27	O-ring	1
05-05	00405-01	Reservoir piston	1
05-06	00340-03	Teflon band	1
05-08	00161-04	Reservoir top assy	1
05-09	00329-04	Circlip	1
05-10	00338-59	O-ring	1
05-11	01050-01	Screw	1



[Back to contents](#)